

Punch driver sets

Hand hydraulic punch driver and metric punches,
Hydraulic foot pump



The compact, lightweight hand hydraulic punch driver makes it easy to punch holes into stainless V2A steel, mild steel, aluminium or plastics with a max. sheet thickness of 3 mm (V2A: 2 mm), due to its high hydraulic force. The cylinder of the punch driver rotates 360° on 3 axles, so maximum flexibility even in hard-to-reach places is provided.

The punch driver can be used with all icotek punches and also with punches of other manufacturers.

Advantages & benefits

- Maximum flexibility due to 360° head rotation
- High hydraulic force (60 kN, 600 bar) for easy punching
- Compact, lightweight aluminium design (2 kg)
- Fast and easy operation
- Punch driver also suitable for punches by other manufacturers

Specifications

Material	Aluminium
Punching force	60 kN
Operating pressure	600 bar

Accessories

Round punches	306- 307
Rectangular & square punches	305

Type	Scope of delivery	Order No.	PU
Punch driver set BASIC	1 hand hydraulic punch driver (weight: 2 kg) 1 draw stud for punches (steel) \varnothing 9.5 mm (3/8" UNF) to \varnothing 19 mm (3/4" UNF), L: 105 mm 1 draw stud \varnothing 19 mm (3/4" UNF), L: 125 mm 1 spacer 1 tube lubricant 1 HSS co pilot drill (multi step drill) 1 robust plastic storage case	80000	1
Punch driver set PRO 16-32	1 hand hydraulic punch driver (weight: 2 kg) 1 draw stud for punches (steel) \varnothing 9.5 mm (3/8" UNF) to \varnothing 19 mm (3/4" UNF), L: 105 mm 1 draw stud \varnothing 19 mm (3/4" UNF), L: 125 mm 1 spacer 1 tube lubricant 1 HSS co pilot drill (multi step drill) 1 each knockout punch for steel M16 M20 M25 M32 1 robust plastic storage case	80005	1
Punch driver set PRO 16-63	1 hand hydraulic punch driver (weight: 2 kg) 1 draw stud for punches (steel) \varnothing 9.5 mm (3/8" UNF) to \varnothing 19 mm (3/4" UNF), L: 105 mm 1 draw stud \varnothing 19 mm (3/4" UNF), L: 125 mm 1 spacer 1 tube lubricant 1 HSS co pilot drill (multi step drill) 1 each knockout punch for steel M16 M20 M25 M32 M40 M50 M63 1 robust plastic storage case	80006	1
NEW Punch driver set LIGHT	1 hand hydraulic punch driver (weight: 2 kg) 1 draw stud for round punches for sheet steel, M16 M20 M25, \varnothing 9.5 mm (3/8" UNF) to \varnothing 19 mm (3/4" UNF), L: 105 mm 1 draw stud for round punches for sheet steel and stainless steel V2A, M32 M40 M50 M63 M85 \varnothing 19 mm (3/4" UNF), L: 125 mm 1 robust plastic storage case	80003	1

Type	Scope of delivery	Order No.	PU
Hydraulic foot pump	1 foot pump 2,5 m high pressure hose including quick coupling 1 hydraulic cylinder for holding round and rectangular punch 1 draw stud for rectangular punch, Order No. 80209 1 draw stud for round punch (steel) M16 – M25, Order No. 80200 1 multi-step drill, Order No. 80204 1 spacer, Order No. 80202 1 tube lubricant, Order No. 80203 Note: storage case not included in delivery	80002	1

Hydraulic foot pump

with hydraulic cylinder and accessories

Universally applicable single-stage foot pump with a fixed operating pressure of 450 bar and built-in pressure relief valve. Suitable for all icotek round punches, rectangular and square punches. Keeps your hands free to position the sheet metal punch precisely, especially when using larger sheet metal punches.

Rectangular & square punches sized for heavy multi-pin industrial connectors and icotek cable entry systems



Type	Cut-out size	Max. sheet thickness	For cut-out of connector	With centre punch (number)	Order No.	PU
Punches for steel and aluminium						
Punch 22x45	22 x 45 mm	2 mm	–	–	80059	1
Punch 68x68 **	68 x 68 mm	2 mm	–	–	80064	1
Punch 92x92 **	92 x 92 mm	2 mm	–	–	80060	1
Punch 125x125 * **	125 x 125 mm	2 mm	–	–	80063	1
Punch 66x112 * **	66 x 112 mm	2 mm	–	–	80061	1
Punch E2	24 x 43 mm	2 mm	–	2	80055	1
Punch E3	24 x 65mm	2 mm	–	2	80056	1
Punch E4	24 x 86mm	2 mm	–	2	80057	1
Punch E5	24 x 112mm	2 mm	–	2	80058	1
Punch 6	36 x 52 mm	2 mm	6-pin	4	80062	1
Punch B	46 x 46 mm	2 mm	–	4	80049 80050	1
Punch 10	36 x 65 mm	2 mm	10-pin	4	80051	1
Punch 16	36 x 86 mm	2 mm	16-pin	4	80052	1
Punch 24	36 x 112 mm	2 mm	24-pin	4	80053	1
Punch 24-XL	46 x 112 mm	2 mm	24-pin	4	80054	1
Punches for stainless steel V2A						
Punch 6 for stainless steel V2A	36 x 52 mm	2 mm	6-pin	–	80149	1
Punch B for stainless steel V2A	46 x 46 mm	2 mm	–	–	80150	1
Punch 10 for stainless steel V2A	36 x 65 mm	2 mm	10-pin	4	80151	1
Punch 16 for stainless steel V2A	36 x 86 mm	2 mm	16-pin	4	80152	1
Punch 24 for stainless steel V2A	36 x 112 mm	2 mm	24-pin	4	80153	1
Punch 24-XL for stainless steel V2A	46 x 112 mm	2 mm	24-pin	4	80154	1
Centre punch for rectangular and square punches	–	–	–	–	80065	1

* Storage case not included in delivery

** Only to be used with hydraulic foot pump (order no. 80002).

Rectangular and square punches and dies make it easy to punch holes into stainless steel (V2A versions), mild steel, aluminium or plastics with a max. sheet thickness of 2 mm. Available for cut-outs sizes of 10-, 16-, and 24- multi-pin heavy industrial connectors and also for numerous special cut-outs. Therefore, the punches are suitable for most icotek cable entry systems. Centre punches are integrated in the die for exact drilling of mounting holes.

The punches are for hydraulic operation only.

Advantages & benefits

- Centre punches for exact drilling of mounting holes
- Robust plastic storage case
- Suitable for hand hydraulic punch driver by icotek and other manufacturers

Specifications

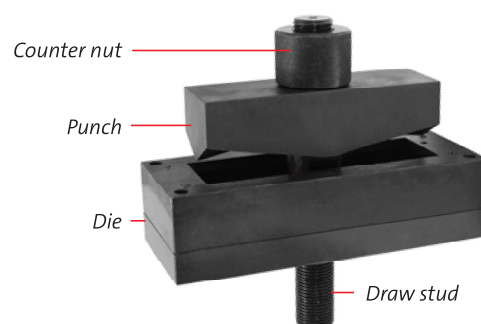
Material Steel, hardened and burnished

Scope of delivery

Punch, die, counter nut and draw stud, robust plastic storage case

Compatible with

Hydraulic punch driver 304



Round punches

for steel and aluminium,
for cut-outs PG & M16 – M85



3-fold slug splitting



Punch set M16 – M63
Order No. 80007

Self-centering knockout punches for mild steel, aluminium and plastic walls. Punches available for cut-outs PG 16, M16, M20, M25, M32, M40, M50, M63, M75 and M85. Cut-outs for icotek split cable glands and round cable entry plates can be punched.

The special cutting geometry of the punch reduces the cutting pressure and therefore the required effort. The punch splits slugs into several pieces (type related)* for easy slug removal. For installation of round switches icotek offers a PG 16 punch with an integrated 3 mm twist protection notch.

The punches are designed for manual and hydraulic operation.

Advantages & benefits

- Multiple splitting punches for easier slug removal/ for easy punching
- Suitable with hand hydraulic punch driver by icotek or other manufacturers

Specifications

Material Steel, hardened and burnished

Scope of delivery

Punch and die (without draw stud)

Compatible with

Hydraulic punch driver 304

Type	Cut-out diameter	Max. sheet thickness	Thread Ø	Order No.	PU
Punches for steel and aluminium					
Punch set M16 – M63	16.2 – 63.5 mm	M16 – M25: 2.0 mm M32 – M63: 3.0 mm	9.5 mm/19 mm	80007	1
Punch M16	16.2 mm	2 mm	9.5 mm	80020	1
Punch M20	20.4 mm	2 mm	9.5 mm	80021	1
Punch M25	25.4 mm	2 mm	9.5 mm	80022	1
Punch M32	32.5 mm	3 mm	19 mm	80023	1
Punch M40	40.5 mm	3 mm	19 mm	80024	1
Punch M50	50.5 mm	3 mm	19 mm	80025	1
Punch M63	63.5 mm	3 mm	19 mm	80026	1
Punch M75	75.5 mm	2.5 mm	19 mm	80029	1
Punch M80	80 mm	2.5 mm	19 mm	80034	1
Punch M85	86 mm	2 mm	19 mm	80030	1
Punch PG 16	22.5 mm	3 mm	9.5 mm	80027	1
Punch PG 16 with twist protection notch	22.5 mm + 3 mm notch	3 mm	9.5 mm	80028	1
Draw stud	for punches M16 – M25, Ø 9.5 mm to Ø 19 mm, L: 105 mm			80200	1
Draw stud	for punches M32 – M85, Ø 19 mm, L: 125 mm			80201	1
Draw stud	for the use with the hydraulic foot pump Order No. 80002			80213	1
Special nut	for the use with the hydraulic foot pump Order No. 80002			80214	1

*Except punches M75/M85

Note: More PG sizes are available on request.

Round punches for stainless steel, for cut-outs PG & M16 – M85



2-fold slug splitting

Type	Cut-out diameter	Max. sheet thickness	Thread Ø	Order No.	PU
Punches for V2A stainless steel					
Punch set M16 – M63 round for stainless steel V2A	16.2 – 63.5 mm	2 mm	11.1 mm/19 mm	80070	1
Punch M16** for stainless steel V2A	16.2 mm	2 mm	11.1 mm	80120	1
Punch M20** for stainless steel V2A	20.4 mm	2 mm	11.1 mm	80121	1
Punch M25** for stainless steel V2A	25.4 mm	2 mm	11.1 mm	80122	1
Punch M32 for stainless steel V2A	32.5 mm	2 mm	19 mm	80123	1
Punch M40 for stainless steel V2A	40.5 mm	2 mm	19 mm	80124	1
Punch M50 for stainless steel V2A	50.5 mm	2 mm	19 mm	80125	1
Punch M63 for stainless steel V2A	63.5 mm	2 mm	19 mm	80126	1
Punch PG 16 with twist protection notch, for stainless steel V2A	22.5 mm + 3 mm notch	2 mm	9.5 mm	80128	1
Draw stud	with adapter 11.1 x 19.0 mm for V2A punches M16 - M25			80210	1

Self-centering knockout punches for stainless steel (V2A versions). Punches available for cut-outs PG 16, M16, M20, M25, M32, M40, M50, M63, M75 and M85. Cut-outs for icotek split cable glands and round cable entry plates can be punched.

The special cutting geometry of the punch reduces the cutting pressure and therefore the required effort. The punch splits slugs into two pieces for easy slug removal. For installation of round switches icotek offers a PG 16 punch with an integrated 3 mm twist protection notch.

The punches are designed for manual and hydraulic operation.

Advantages & benefits

- Multiple splitting punches for easier slug removal/for easy punching
- Suitable with hand hydraulic punch driver by icotek or other manufacturers

Specifications

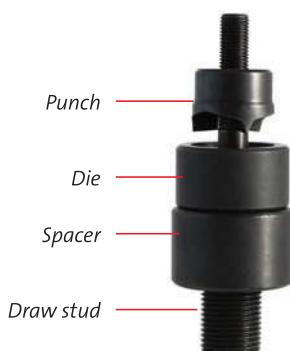
Material Steel, hardened and burnished

Scope of delivery

Punch and die (without draw stud)

Compatible with

Hydraulic punch driver 304



**Draw stud (Order No. 80210) is required.
Note: More PG sizes are available on request.