



SKIRTING



ELECTROCONDUCTIVE GASKET



DIAGRAM HOLDING POCKETS

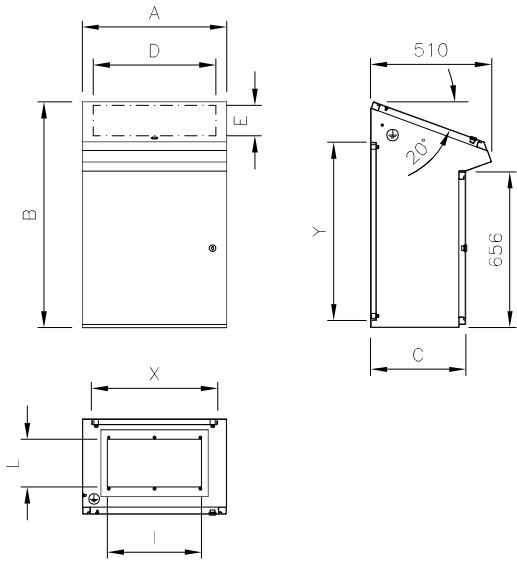


ADJUSTABLE FEET



LECTERNS

- Material: EN 1.4307 (TYPE 304L) s/s satin-finished scotch brite and protected on one side, thickness: doors 20/10 envelope 15/10.
- Enclosure obtained from a single sheet.
- Fairlead plates with seal.
- Full doors, top opening with supporting rods (for L.1200 and L.1600 n.2 supporting rods).
- Box-type door locks with 3-point transmission rods.
- Inner hinges, s/s execution, 120° opening as per CEI EN 60204-1 recommendations.
- Foamed polyurethane seal.
- Inner plate made of EN10142 sendimir galvanized sheet, secured to the bottom of the enclosure by s/s stud bolts and supported by suitable ABS rests that relieve the stud bolts of the weight of the plate and of the equipment fitted.
- Prearranged for earthing according to the regulations in force.
- Protection degree IP66 for single door lecterns, IP65 for 2-door lecterns.



ITEM	OUTSIDE SIZES			USEFUL SURFAACE		CABLE WAY		INNER PLATE	
	A	B	C	D	E	I	L	X	Y
QP0600	608	950	400	516	375	396	200	530	750
QP0800	808	950	400	716	375	596	200	730	750
QP1000	1008	950	400	916	375	796	200	930	750

IP66 EN 60 529



TYPE NEMA 4X, 12, 1, 4

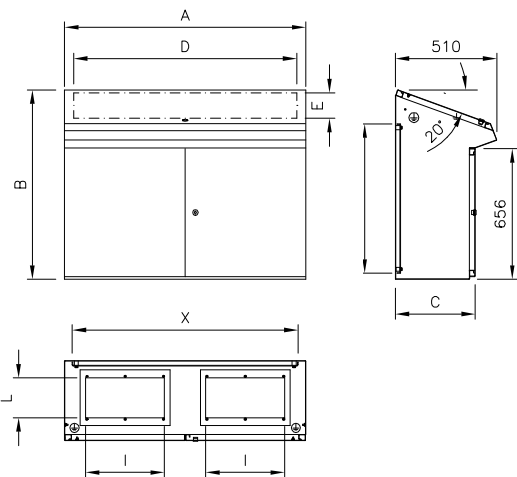
Standard UL508A - UL50 Standard 250



EN 60204-1

89/392/EEC

UL certification to be requested with the order



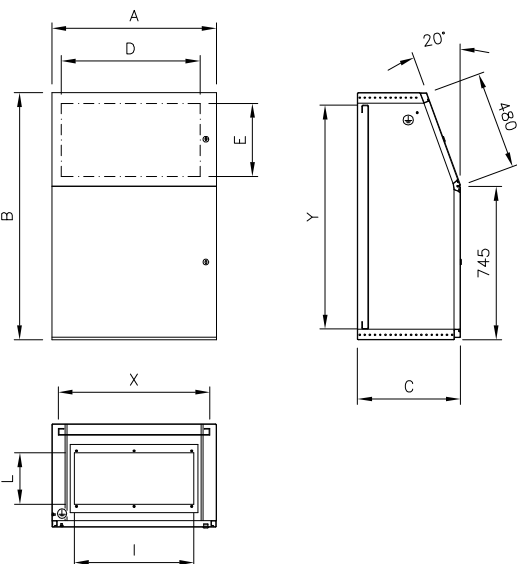
ITEM	OUTSIDE SIZES			USEFUL SURFAACE		CABLE WAY		INNER PLATE	
	A	B	C	D	E	I	L	X	Y
QP1200	1211	950	400	1119	375	396	200	1113	750
QP1600	1611	950	400	1519	375	596	200	1533	750

IP65 EN 60 529



EN 60204-1

89/392/EEC



ITEM	OUTSIDE SIZES			USEFUL SURFAACE		CABLE WAY		INNER PLATE	
	A	B	C	D	E	I	L	X	Y
QP0612	600	1200	500	474	380	380	250	537	1088
QP0812	800	1200	500	674	380	580	250	737	1088

IP66 EN 60 529



EN 60204-1

89/392/EEC

ACCESSORIES FOR LECTERNS



Adjustable Feet



Skirting



Diagram Holding Pockets



Electroconductive Gaskets



Lamps



Taps



IN THE SECTION "ACCESSORIES FOR COMPUTER CABINETS"

Casters



IN THE SECTION "ACCESSORIES FOR SMALL CABINETS"

Cable Glands



Over-Doors



Gas-Operated Springs



Grip Handles



IN THE SECTION "AIR CONDITIONING"

Air Conditioning



Ventilation

