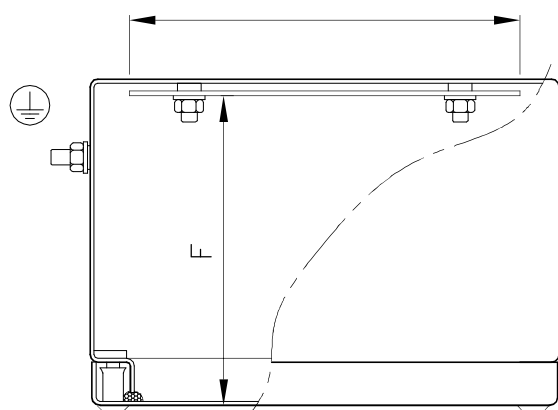
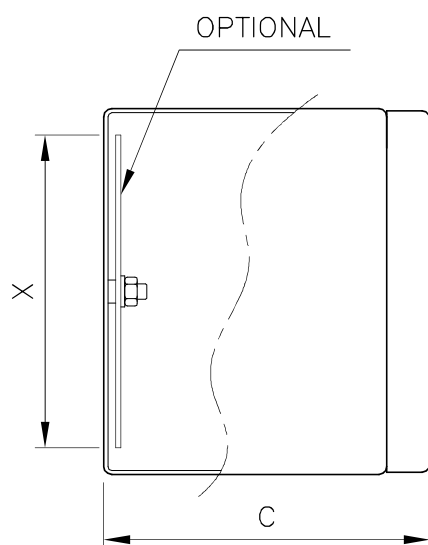
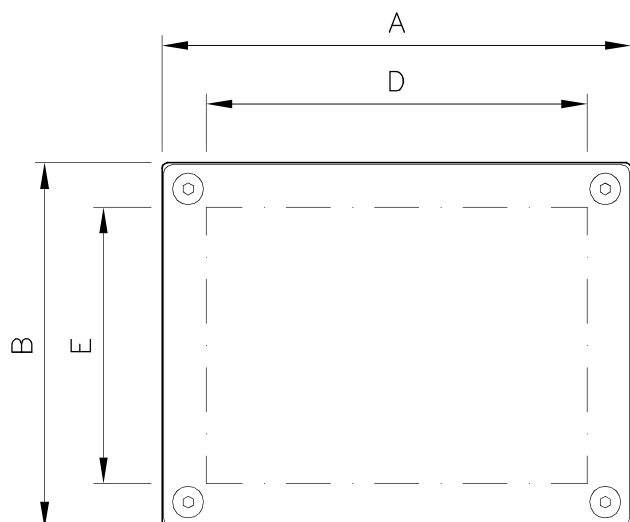




CONNECTOR BLOCKS DS - EX

- Made of EN 1.4307 (TYPE 304L) or EN 1.4404 (TYPE 316L) s/s, scotch brite, satin-finish, protected on one side.
- The state-of-the-art welding methods adopted permit to maintain unaltered the chemical composition of the material, thus avoiding corrosion phenomena in the weld areas.
- The cover is secured by special "leak-proof" screws M5.
- Seal made of silicone foam.
- The enclosure can be used at the following Maximum Temperatures on the outer surface: from -40°C to + 180°C.
- Pre-arranged for earthing in compliance with the applicable regulations in force.
- S/s stud bolts M6 are set to the bottom to secure bars and structural sections.
- Inner plate in sendzimir execution (on request).
- Drillings, if any, are possible in compliance with the parameters indicated in the instruction manuals.
- Protection degree IP66 (CEI EN 60529).
- Certificates for area 1 - 2 - 20 - 21 -22



II 1D 2G IP66
 IECEx EUT 18.0016 U
 Ex eb IIC Gb
 Ex ta IIIC Da
 EPT 18 ATEX 3029 U
 NB: 0477

US LISTED
 FILE N° E237618

Detailed drawings per each cabinet can be downloaded from our site www.ilinox.com

ITEM	OUTSIDE SIZES			USEFUL SURFACES			MATERIAL			INNER PLATES (OPTIONAL)		
	A	B	C	D	E	F	GASKET	TYPE	THICKNESS	ITEM	X	Y
DS009/304-EX	210	190	125	170	150	118	silicone	Type 304L	1,2 mm	PI009	192	150
DS012/304-EX	270	190	125	230	150	118	silicone	Type 304L	1,2 mm	PI012	252	150
DS016/304-EX	270	240	125	230	200	118	silicone	Type 304L	1,2 mm	PI016	252	200
DS020/304-EX	320	230	150	280	190	143	silicone	Type 304L	1,2 mm	PI020	280	190
DS025/304-EX	320	280	150	280	240	143	silicone	Type 304L	1,2 mm	PI025	280	240
DS043/304-EX	400	300	150	360	260	143	silicone	Type 304L	1,2 mm	PI043	360	260
DS006/316-EX	190	150	125	150	110	118	silicone	Type 316L	1,5 mm	PI006	172	110
DS010/316-EX	210	210	125	170	170	118	silicone	Type 316L	1,5 mm	PI010	192	170
DS012/316-EX	270	190	125	230	150	118	silicone	Type 316L	1,5 mm	PI012	252	150
DS016/316-EX	270	240	125	230	200	118	silicone	Type 316L	1,5 mm	PI016	252	200
DS020/316-EX	320	230	150	280	190	143	silicone	Type 316L	1,5 mm	PI020	280	190
DS025/316-EX	320	280	150	280	240	143	silicone	Type 316L	1,5 mm	PI025	280	240
DS040/316-EX	400	200	150	360	160	143	silicone	Type 316L	1,5 mm	PI040	360	160
DS060/316-EX	600	200	150	550	150	143	silicone	Type 316L	1,5 mm	PI060	565	152

NOTES: from DS006 to DS016 no. 2 studbolts to secure the DIN bar or the inner plate
 from DS020 to DS060 no. 4 studbolts to secure the inner plate

UL certification to be requested with the order