



idec-emea.com

IDEC'S NEW RANGE OF IP65 CONTROLS BOXES BENEFIT FROM GREATER INTERNAL SPACE FOR TERMINATION BY POSITIONING THE MOUNTING POINTS EXTERNALLY.

YB Series Control box

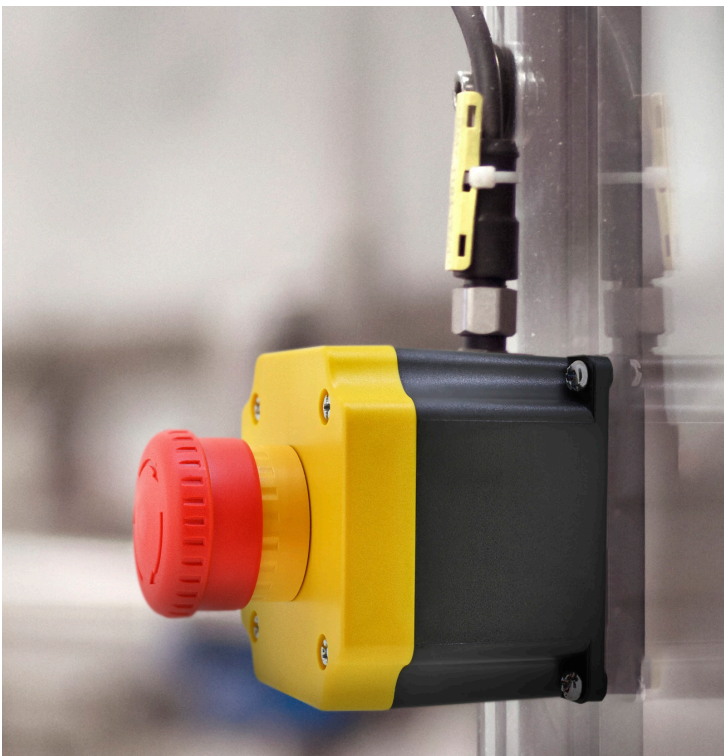
With the YB control box, you can easily mount all kinds of safety and control functions on your machine.

SWITCHES

SAFETY

PANEL

AUTOMATION

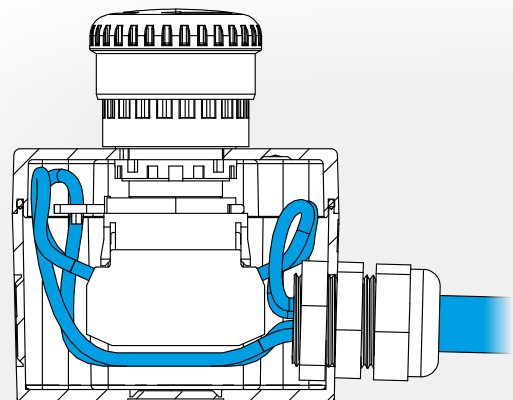


MAIN APPLICATIONS

- Control panels
- Machine tools
- Agricultural machines
- Industrial Automation
- Security Applications
- Safety and automation applications

TECHNICAL FEATURES

- IP65 protection
- Available with YW series Emergency-stop switches
- $\varnothing 22$ switches, indicators & pilot lights can be mounted
- Class II electric shock protection (when installed with applicable unit)
- Ideal for high temperatures (-25 to 60°C) & corrosive environments
- Efficient wiring space inside the control box
- Available in light beige and yellow color

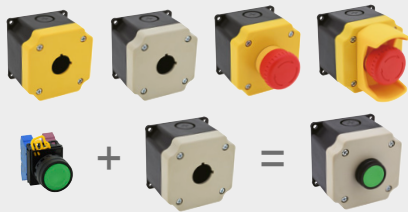


YB series control box

EASIER INSTALLATION AND MOUNTING
COMPARED TO ALTERNATIVE CONTROL
BOX SOLUTIONS

THIS CONTROL BOX IS IDEAL FOR YOUR:

- Emergency-stops
- Indicators
- Selector switches
- Pilot lights



OUR ADVICE

By installing APEM's QH series indicator, the user can intuitively see the operating status of the switch.



CUSTOMER BENEFITS

- The enclosure brings additional IP65 sealing to protect the function you mounted.
- Can be used in corrosive or heavily-cleaned environments with its ingress, water jets and dust protection.
- Ø22mm hole box: universal diameter to mount the function of your choice. HW, CW, XW... Many IDEC switches and lights can be mounted in the box.
- The control box is easy to mount, even in confined spaces. This is due to the mounting holes being located outside of the box negating the need to open the cover to install.



OFTEN USED WITH

XW Emergency-stops

YW selector switches and pilot lights

CW switches



QH series indicators

Ø22mm switch guard for EMO



Control box with Emergency-stop switch (box size: 76mm, cover color: yellow, button color: red)

Switch Specifications	Contact configuration	Part No.	
		No nameplate.	With nameplate EMERGENCY-STOP
YW Series Emergency-stop Switch	1NC	YB1W-YW1B-V4E01R-Y0	YB1W-YW1B-V4E01R-Y1
	2NC	YB1W-YW1B-V4E02R-Y0	YB1W-YW1B-V4E02R-Y1
	3NC	YB1W-YW1B-V4E03R-Y0	YB1W-YW1B-V4E03R-Y1
	1NO-1NC	YB1W-YW1B-V4E11R-Y0	YB1W-YW1B-V4E11R-Y1
	1NO-2NC	YB1W-YW1B-V4E12R-Y0	YB1W-YW1B-V4E12R-Y1
	2NO-1NC	YB1W-YW1B-V4E21R-Y0	YB1W-YW1B-V4E21R-Y1

[Visit the product page](#)

[Consult the datasheet](#)

idec-emea.com
eu.support@idec.com

 **APEM**
an IDEC company