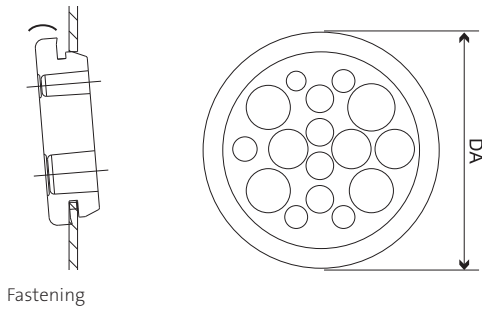


# KEL-DP round Cable entry plates



| Type         | Order No. Type A   | Order No. Type B   | Number of cables  | Cut-out | External diameter DA | PU |
|--------------|--------------------|--------------------|---|---------|----------------------|----|
| KEL-DP 50 9  | ■ 43554<br>■ 50554 | ■ 43568<br>■ 50568 | 5× max. 7 mm<br>4× max. 18 mm   | ∅ 50 mm | 60 mm                | 10 |
| KEL-DP 50 11 | ■ 43555<br>■ 50555 | ■ 43569<br>■ 50569 | 7× max. 7.2 mm<br>3× max. 11.2 mm<br>1× max. 22.5 mm                              | ∅ 50 mm | 60 mm                | 10 |
| KEL-DP 50 12 | ■ 43551<br>■ 50551 | ■ 43562<br>■ 50562 | 10× max. 9.2 mm<br>2× max. 11.2 mm  | ∅ 50 mm | 60 mm                | 10 |
| KEL-DP 50 16 | ■ 43550<br>■ 50550 | ■ 43564<br>■ 50564 | 4× max. 5.3 mm<br>5× max. 6.3 mm<br>3× max. 9.5 mm<br>4× max. 11.3 mm             | ∅ 50 mm | 60 mm                | 10 |
| KEL-DP 50 18 | ■ 43553<br>■ 50553 | ■ 43567<br>■ 50567 | 2× max. 4 mm<br>2× max. 6 mm<br>4× max. 7.2 mm<br>5× max. 9.4 mm<br>5× max. 12 mm | ∅ 50 mm | 60 mm                | 10 |
| KEL-DP 50 20 | ■ 43552<br>■ 50552 | ■ 43566<br>■ 50566 | 16× max. 6.3 mm<br>4× max. 9.3 mm   | ∅ 50 mm | 60 mm                | 10 |
| KEL-DP 50 35 | ■ 43556<br>■ 50556 | ■ 43570<br>■ 50570 | 35× max. 5.2 mm   | ∅ 50 mm | 60 mm                | 10 |

## Specifications

|                    |  |
|--------------------|--|
| Material           | Elastomer  |
| Colour             | <input type="checkbox"/> grey (similar RAL 7035)<br><input type="checkbox"/> black |
| Flame class        | UL94-Vo, self-extinguishing  |
| IP rating          | IP65 (certified acc. to EN 60529)  |
| UL type rating     | UL type 12 (acc. to UL 50E)  |
| Temperature        | - 40°C to + 90°C (static)  |
| Properties         | Halogen-free, silicone-free  |
| Cut-out dimensions | Metric sizes   |
| Plate depth        | 5 mm   |
| Type A:            | For wall thickness 1.5 - 2.5 mm  |
| Type B:            | For wall thickness 2.8 - 4 mm  |

## Accessories

|                  |           |
|------------------|-----------|
| ST-B Plugs       | 85        |
| FP Flange plates | 178 - 183 |

\* Only valid for grey product types