

KVT

Split cable glands



Product description

KVT is a circular split frame for quick and easy installation and sealing of cables with connectors or complete cable harnesses.

Polyamide locknuts as well as a sealing ring are included in the shipment.

For routing D-Sub, DVI or PROFIBUS connectors in combination with the split cable glands KVT, special locknuts with cut-outs are required.

Locknuts

Locknuts with special cut-outs are available separately. The cut-out dimensions are listed on page 189.



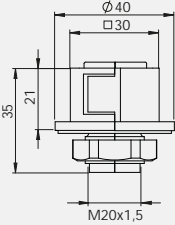
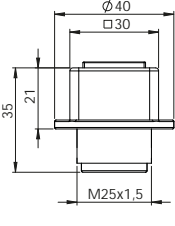
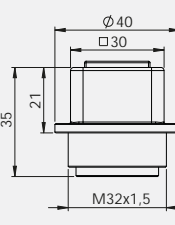
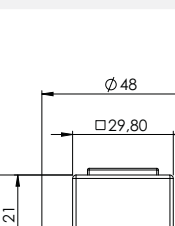
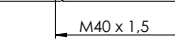

KGM-SUB-D9 fits D-Sub 9 connectors
(Required wall cut-out: \varnothing 36 mm, PU: 10)
 Order No. 45105 Order No. 45106

KGM-PB fits DVI and PROFIBUS connectors
(Required wall cut-out: \varnothing 42 mm, PU: 10)
 Order No. 45107 Order No. 45109

KGM-SUB-D25 fits SUB-D25 connectors
(Required wall cut-out: \varnothing 50 - 54 mm, PU:10)
 Order No. 45108 Order No. 45110



Type GMT: Split locknut, p. 188

Description	Type	Order No.	Grommets small large	Thread Thread length	PU
	KVT 20**	<input type="checkbox"/> 45034 <input checked="" type="checkbox"/> 45024	1 -	M20 × 1.5 Length: 14 mm	10
	KVT 25***	<input type="checkbox"/> 45035 <input checked="" type="checkbox"/> 45025	1 -	M25 × 1.5 Length: 14 mm	10
	KVT 32	<input type="checkbox"/> 45036 <input checked="" type="checkbox"/> 45026	1 -	M32 × 1.5 Length: 14 mm	10
	KVT 32 + KGM-SUB-D9	<input type="checkbox"/> 45037 <input checked="" type="checkbox"/> 45027	1 -	M32 × 1.5 Length: 14 mm	10
	KVT 40	<input type="checkbox"/> 45203 <input checked="" type="checkbox"/> 45028	1 -	M40 × 1.5 Length: 14 mm	10
	KVT 40 + KGM-PB	<input type="checkbox"/> 45205 <input checked="" type="checkbox"/> 45029	1 -	M40 × 1.5 Length: 14 mm	10

* Only valid for grey product types ** Max. cable diameter of 11 mm | *** Max. cable diameter of 15 mm