



CASTERS



PULL-OUT SHELF



EXTRACTABLE PLANE FOR KEYBOARD



FIXED CONSOLE



COMPUTER CABINET APC

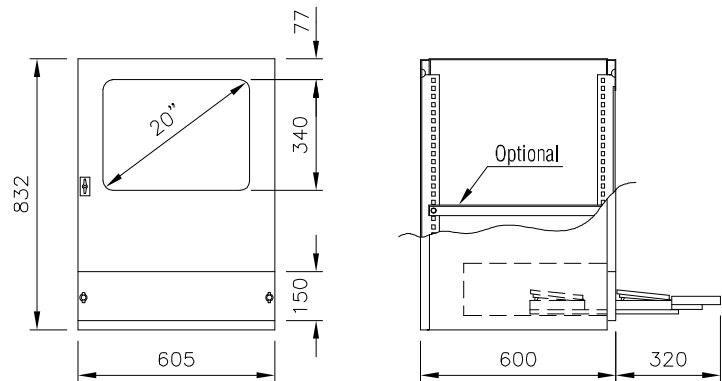
- Made of EN 1.4307 (TYPE 304L) s/s, satin- finishing (roughness Ra < 0.38 micron).
- Self-bearing frame, closed, welded in inert atmosphere. All edges feature 25 mm spaced drills to accommodate front setting M8 and M6 cages for accessories fixing.
- Right-hand hinged front doors, s/s inner hinges. 120° opening as per CE EN 60204-1. The upper door is for video protection and includes a laminate safety glass, 3+3 mm thick for videos ranging from 14" to 20" in size depending on the type and position of the screen. The lower door is full and rests 28 mm above the frame bottom edge to allow easy opening even when no skirting plate, feet or wheels are installed.
- The locks are of the multi-point ratched type, with steel rods and wing nut keylocks.
- Bolted rear panel, fitted with special sucker-type spacers in hard rubber as tightness and leak-proof seal. The rear panel can be replaced by a hinged door, on request.
- Protection degree: IP65
- Heat dissipation: when the operating conditions are not too heavy (one PC with screen and printer for a total of 300 W), with Δt 15°C and 3 sides and the ceiling of the cabinet free, the surface can dissipate all of the installed power. For more detailed calculations, see section "CONDITIONING AND VENTILATION".



COMPUTER CABINETS APC608TE

Single front door base cabinet with pull-out keyboard table and no lower compartment for printer.

The pull-out table, for keyboard fixing (max sizes 480x190 mm) when in the open position allows the use of the keyboard while maintaining the IP20 protection degree for the cabinet. The front board of the pull-out table, tilting, can be used as mouse rest.



 **IP65** EN 60 529

 EN 60204-1 89/392/EEC

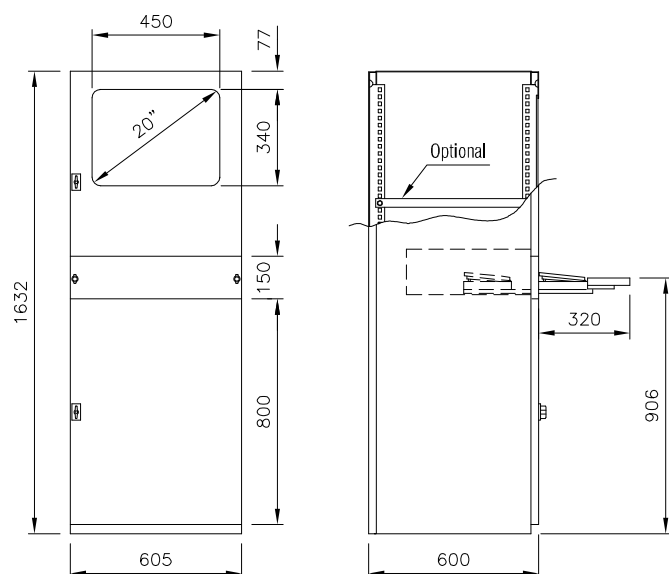


COMPUTER CABINETS APC616TE

Two front doors base cabinet with pull-out keyboard table and lower compartment for printer housing.

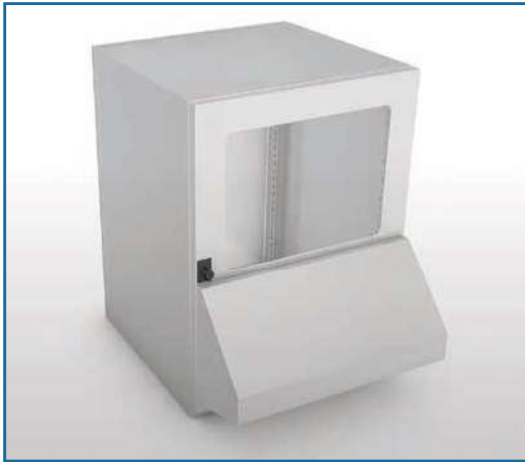
The pull-out plane, for keyboard fixing (max sizes 480x190 mm) when in the open position allows the use of the keyboard while maintaining the IP20 protection for the cabinet. The front board of the pull-out panel, tilting, can be used as mouse rest.

The lower compartment can accommodate shelves, drawers, inner plates or 19" rack section irons, all optional and available on request.



 **IP65** EN 60 529

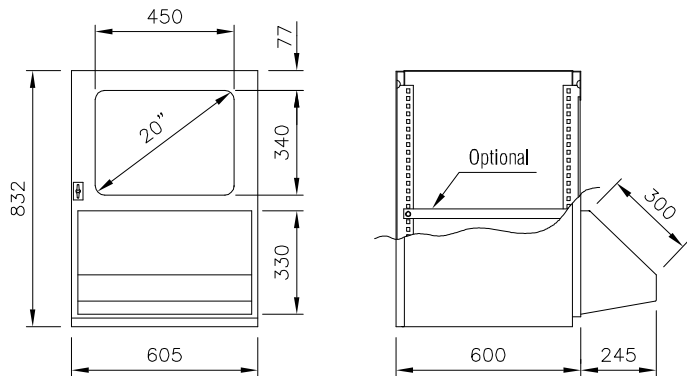
 EN 60204-1 89/392/EEC



COMPUTER CABINET APC608C

Single front door cabinet, with fixed console and without lower compartment for printer.

The console can be used to support exposed conventional keyboards or to accommodate recessed industrial keyboards (the console is usually delivered blind: drilling, if the need be, is possible if requested with the order).



IP65 EN 60 529



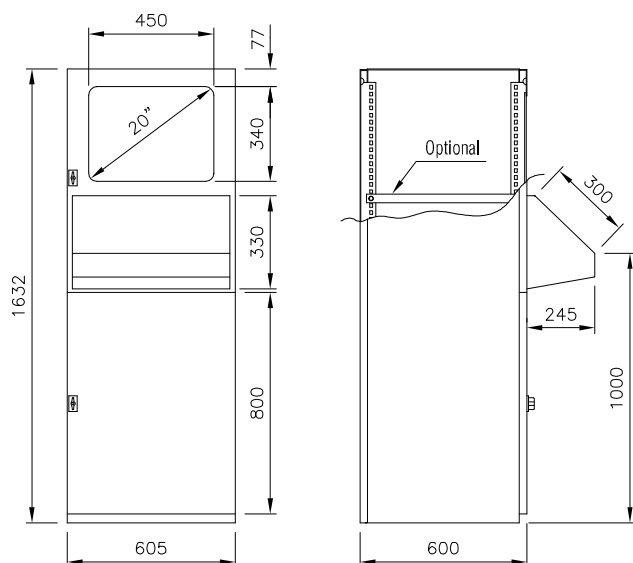
EN 60204-1 89/392/EEC



COMPUTER CABINETS APC616C

Base cabinet with two front doors, fixed console and lower compartment for printer.

The console can be used to support exposed conventional keyboards or to accommodate recessed industrial keyboards (the console is usually delivered blind: drilling, if the need be, is possible if requested with the order).



IP65 EN 60 529



EN 60204-1 89/392/EEC



PAIR OF STIRRUPS FOR VIDEO FIXING ASV

Designed to secure the base of the tabletop videos to the rest surface. Suitability should be checked before purchase, making sure the base of the video is sturdy enough to allow securing it, and the sizes are appropriate.

- **ASV** – video fixing stirrup



HORIZONTAL PARTITIONS ASP066

TYPE 304 s/s execution, pre-drilled for cable passage between the two compartments. Protection degree IP20. The very stiff structure makes it suitable for use as support plane, too.

- **ASP066** – horizontal partition.



PULL-OUT SHELF APE66

Pull-out drilled shelf for cabinet 600 x 600 mm. Same features as the shelf above, set on fully pull-out guides, it is the ideal housing for cut-sheet printers fitted with paper tray, or for lined printers with printer holder (from computer shops). Shelf capacity 45 Kg.

- **APE66** - pull-out plane.



FIXED SHELF APF66

DTo support screens, CPU, fixed printers and all that doesn't require frequent pulling out; drilled slots to allow fixing the elements to be supported as well as improve air flow inside the cabinet. Installation by screws delivered with the cabinet that, by matching the vertical slots with the slots in the uprights enable a perfect adjustment on the whole length.

- **APF66** – fixed plane



SET OF FOUR FASTENERS FOR WALL MOUNT **SP020**

Fit for application on cabinets with rear panel, they are supplied on request with cabinets It. APC608C and APC608TE.

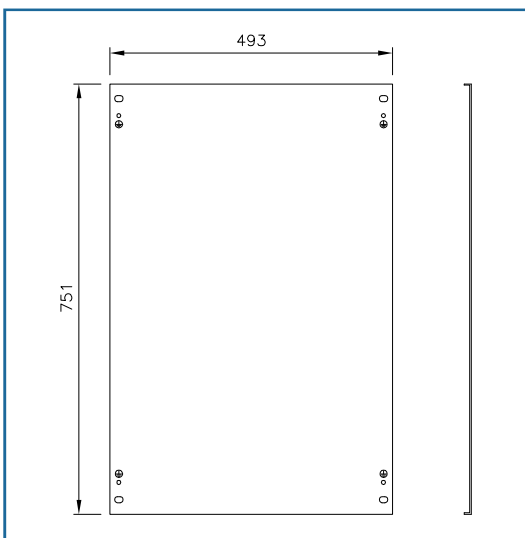
- **SP020** - no. 4 fasteners for wall mount



REAR DOOR **P0616S**

TYPE 304 s/s execution, fine satin-finished and protected, it can replace the rear panel in Items APC616C and APC616TE.

- **P0616S** - rear door



INNER PLATE **PA0575**

Inner plate for lower compartment, to be secured to the most backwards part of the cabinet, it features flanged edges. The plate cannot be used when extractable shelves and/or printer drawer are installed.

- **PA0575** - inner plate



SET OF CASTERS **RPF080**

No. 4 grey rubber casters, two of which have a double-action brake. TYPE 304 s/s support. Capacity 50 kg each wheel.

- **RPF080** - kit n. 4 casters

Adjustable Feet



Skirting



Diagram Holding Pockets



Electroconductive Gasket



Lamps



Taps



IN THE SECTION "ACCESSORIES FOR CABINETS"

Cable Glands



IN THE SECTION "AIR CONDITIONING"

Air Conditioning



Ventilation

