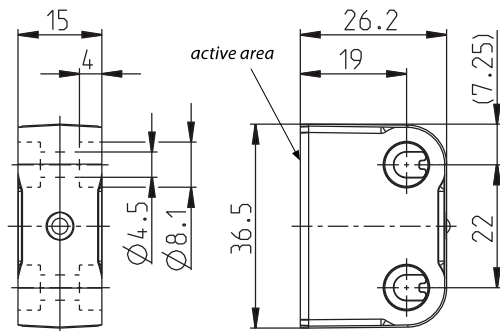


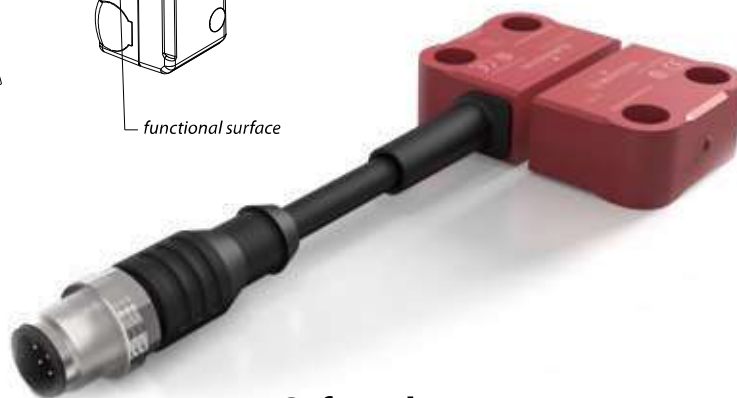
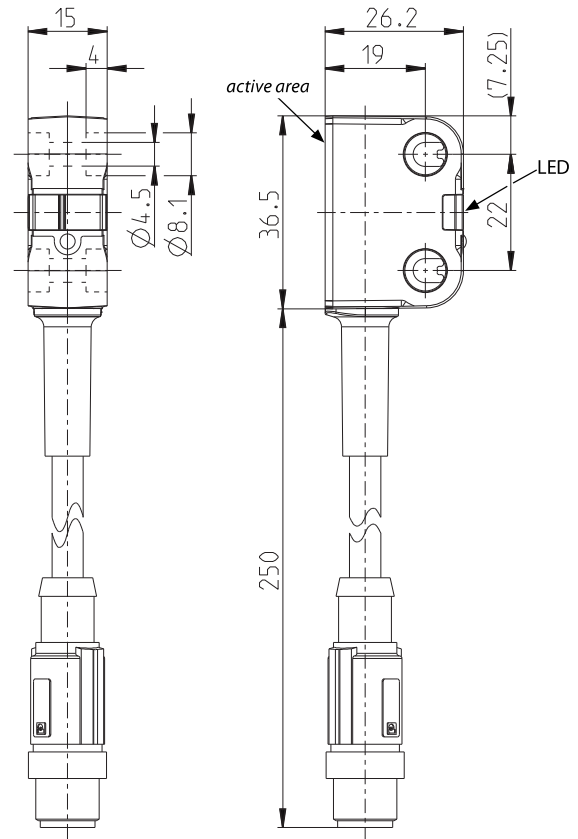
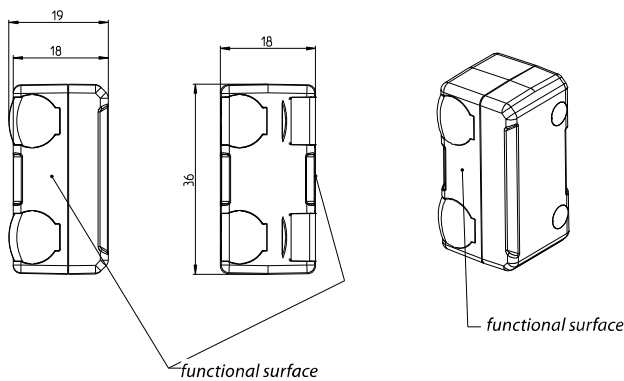
Technical data

SRF

SRF-0



SRF-0-18



Electrical data

- Rated operational voltage U_e : 24 V DC
- Output current of the signal output I_e : 10 mA
- Output current of the safety outputs I_e : 100 mA

Mechanical data

- Enclosure: PA66 + PA6, red, self-extinguishing
- Connection cable: PUR
- Mounting holes: $\varnothing 4,5$ (für M4 screws)
- Displays: 1 \times LED red/green operating status
1 \times LED yellow actuation status
- Ambient temperature: -25°C to $+70^\circ\text{C}$
- Protection class: IP69

Safety data

- PL e / Cat. 4 (according to EN ISO 13849-1)
- SIL CL 3 (according to DIN EN 62061)
- $\text{PFH}_D = 6 \times 10^{-9}$ 1/h
- Mission time T_M : 20 years
- Switching distance
 - Rated operating distance S_n : 13 mm
 - Assured switching distance – On S_{ao} : 10 mm
 - Assured switching distance – Off S_{ar} : 25 mm
 - Hysteresis: 2 mm
- Switch-off delay t_d : max. 100 ms + 7 ms/add. sensor
- Ready delay t_r : max. 2 s