

KEL-SNAP

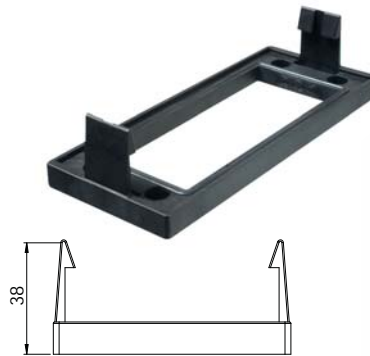
Snap mounting frames



Integrated circular sealing (IP54)



Blank plate BPK-SNAP, see page 186



1.11

1.21

Description	Type	Order No.	Fits for	Cut-out [mm]	PU
	KEL-SNAP-B	42038	KEL-B KEL-U-B KEL-QUICK-B	46 × 38	10
	KEL-SNAP 10	42039	KEL 10 KEL-U 10 KEL-QUICK 10	46 × 65	10
	KEL-SNAP 16	42040	KEL 16 KEL-U 16 KEL-QUICK 16	46 × 85	10
	KEL-SNAP 24	42042	KEL 24 KEL-U 24 KEL-FG-A KEL-QUICK 24	46 × 112	10
	KEL-SNAP 24-E	42044	KEL 24-E	71 × 112	1
	KEL-SNAP 24-MT	42046	KEL 24-MT	89 × 112	1

Product description

The patented KEL-SNAP frame provides a quick assembly of the KEL / KEL-U / KEL-QUICK system when necessary. Control panels, cabinets or machines can be equipped with the KEL-SNAP frame at delivery, allowing a simple push in of the KEL frame when routing the cables and conduits. Perfect for enclosures that are maintenance intensive or for an install at a later date.

A cut-out of 46 mm also can be chosen instead of 36 mm. Thus prefabricated multi-pin connectors can be used.

Advantages & benefits

- Upon disassembly (e.g. maintenance) screwing and unscrewing of KEL frame is not necessary
- Previously assembled KEL frames are quickly and easily attached
- Integrated gasket
- Drilling template identical to KEL frame (except KEL-SNAP-B)

Specifications

Material	Polyamide (PA)
Flame class	UL94-Vo, self-extinguishing
IP rating	IP54 (certified acc. to EN 60529)
UL type rating	UL type 12 (acc. to UL 50E)
Temperature	- 40°C to + 140°C (static)
Properties	Halogen-free, silicone-free
Cut-out dimensions	See Page 218 - 219

Accessories

KEL Cable entry frames	18 - 27
KEL-U Cable entry frames	8 - 14
KEL-FG Flange enclosure	28 - 30
KEL-QUICK Cable entry frames	56 - 57
MP Module plates	174 - 175
BPK-SNAP Blank plates	186
ST Plugs	53